

WTCA STANDARD DETAILS

Masonry Hold-Down Hardware

Figure 16.8.34 WTCA standard industry details: Masonry Hold-Down Hardware. Available for free download at www.woodtruss.com.

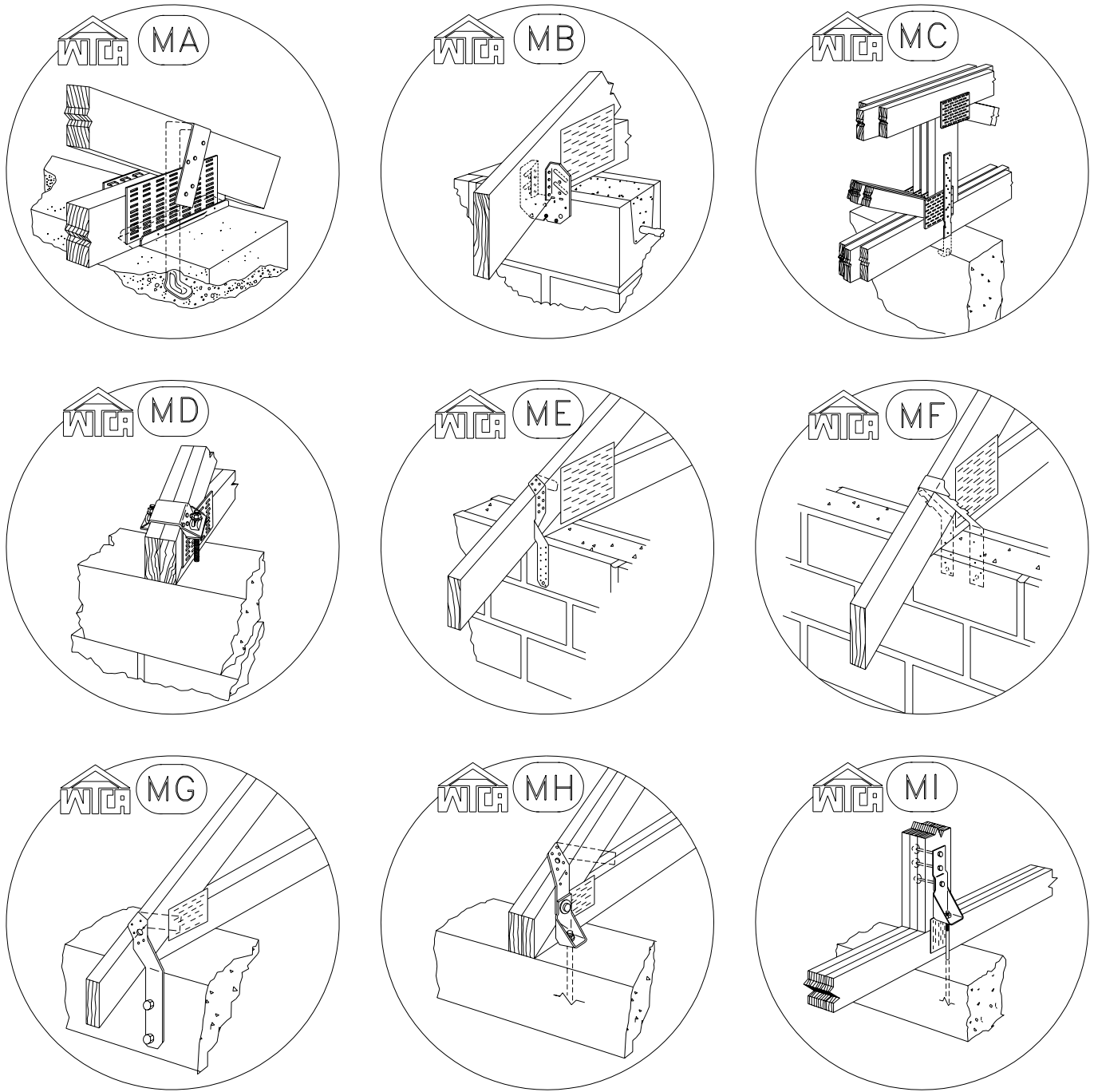


Figure 16.8.34

WTCA STANDARD DETAILS

Masonry Hold-Down Hardware (cont.)

