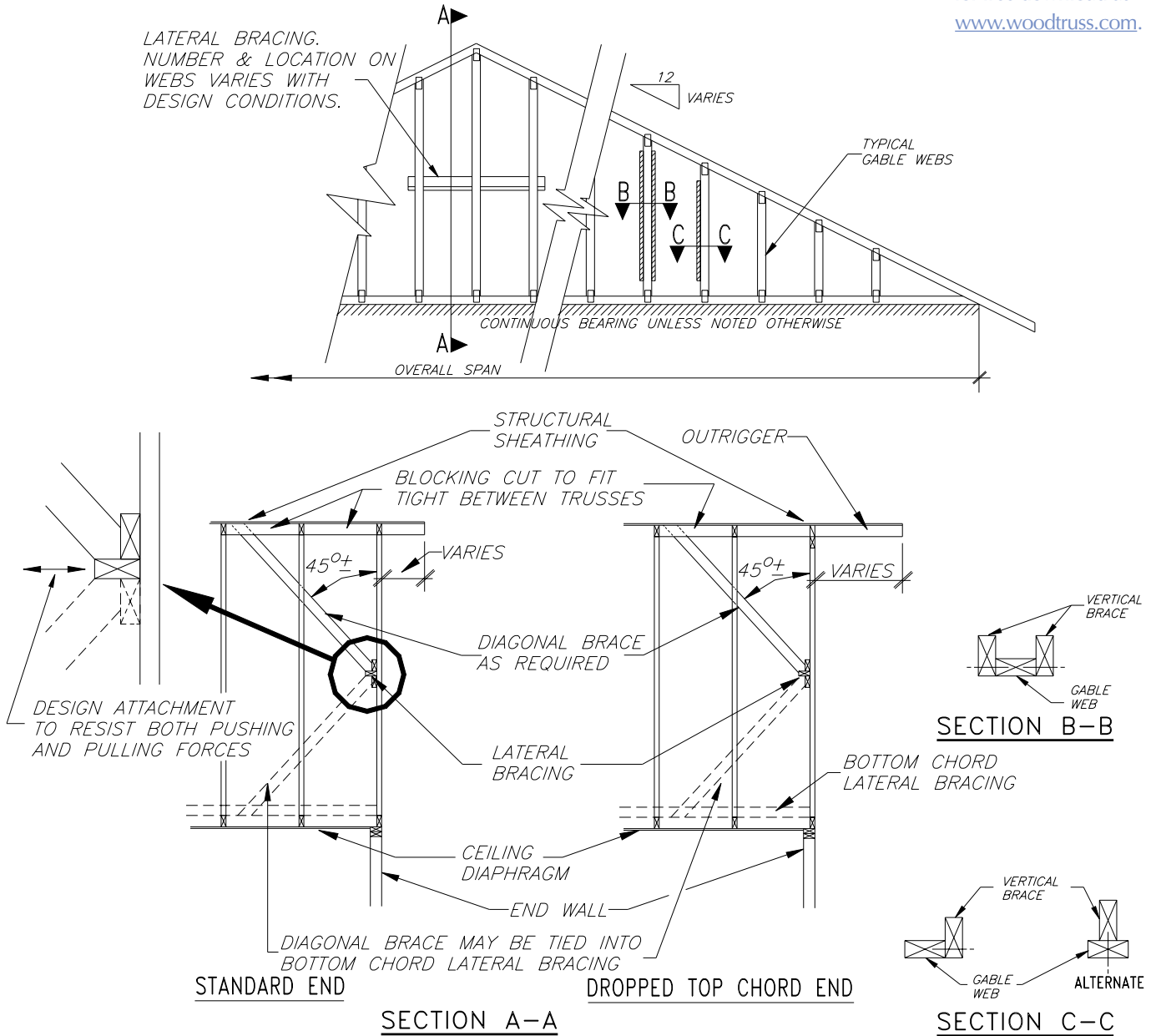


WTCA STANDARD DETAILS

Gable End Bracing

Figure 16.8.23 WTCA standard industry detail for gable end bracing. Available for free download at www.woodtruss.com.



NOTES:

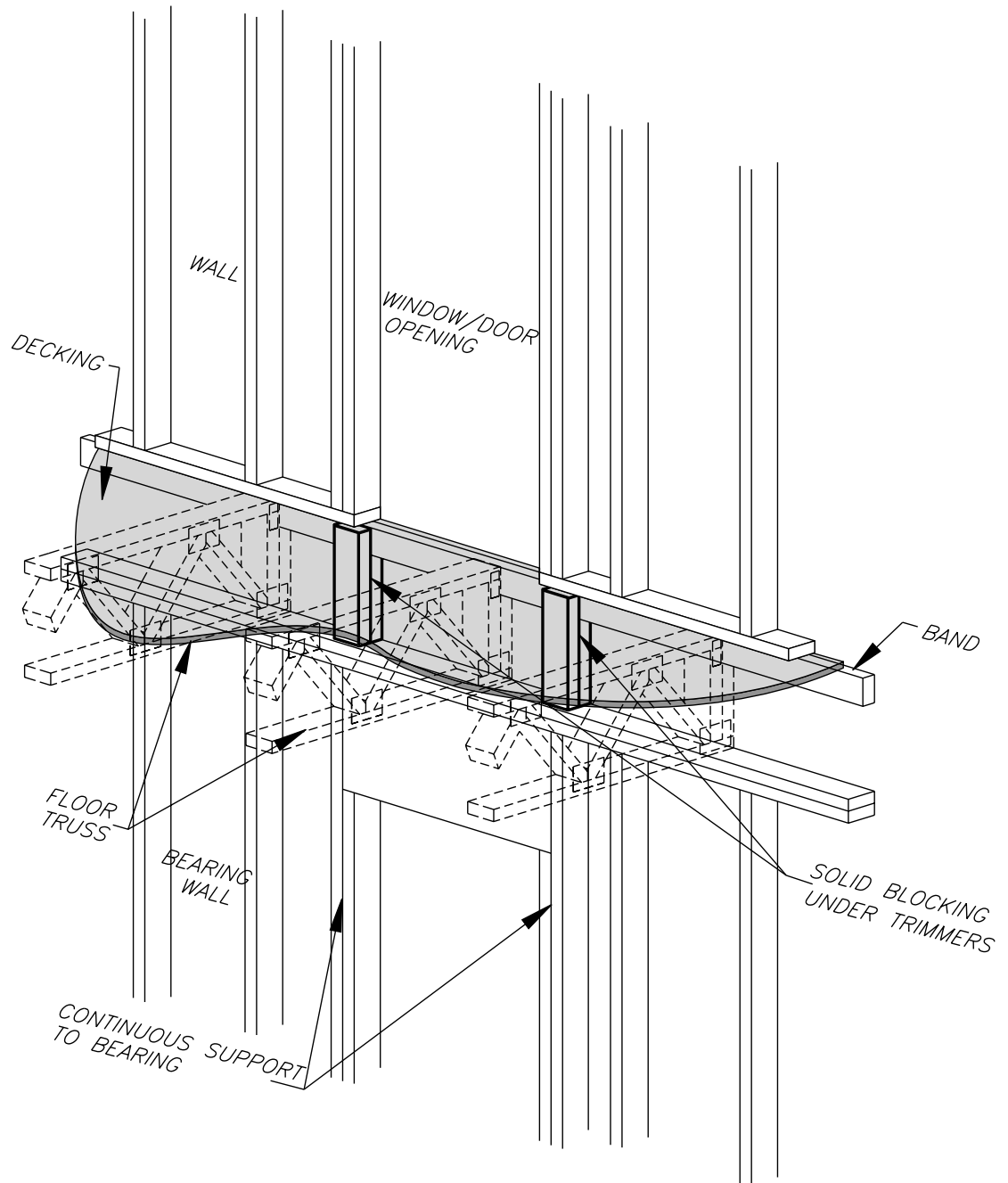
- 1) ACTUAL BRACING REQUIREMENTS WILL VARY DUE TO WIND LOAD, CODE CRITERIA, BUILDING HEIGHT, TRUSS SPAN, WEB LUMBER GRADE/SPECIES/ON CENTER SPACING AND OTHER VARIABLES. BRACING (AND ATTACHMENT) REQUIREMENTS SHOULD BE DESIGNED FOR EACH SPECIFIC JOB.
- 2) CONNECTION BETWEEN BOTTOM CHORD OF GABLE END TRUSS AND WALL, AS WELL AS THE DESIGN AND SPECIFICATION OF TEMPORARY AND PERMANENT BRACING OF THE ROOF SYSTEM IS THE RESPONSIBILITY OF THE BUILDING DESIGNER.

Figure 16.8.23

WTCA STANDARD DETAILS

Blocking at Wall Type "A"

Figure 16.8.24 WTCA standard industry detail: Blocking at Wall Type "A". Available for free download at www.woodtruss.com.



BLOCKING IN FLOOR SPACE @
END BEARING TRUSS w/ BAND

Figure 16.8.24

WTCA STANDARD DETAILS

Blocking at Wall Type "B"

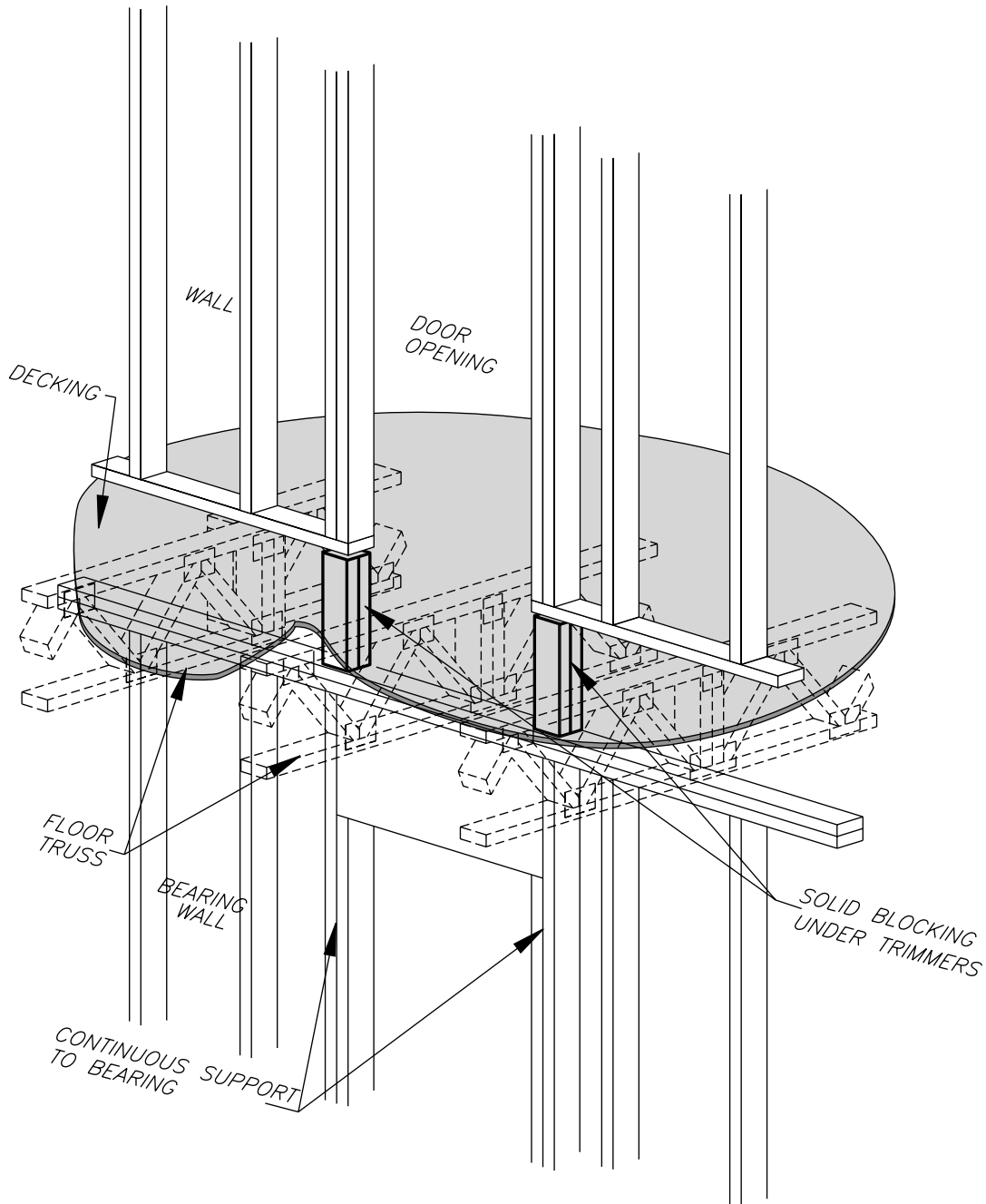


Figure 16.8.25 WTCA standard industry detail: Blocking at Wall Type "B". Available for free download at www.woodtruss.com.

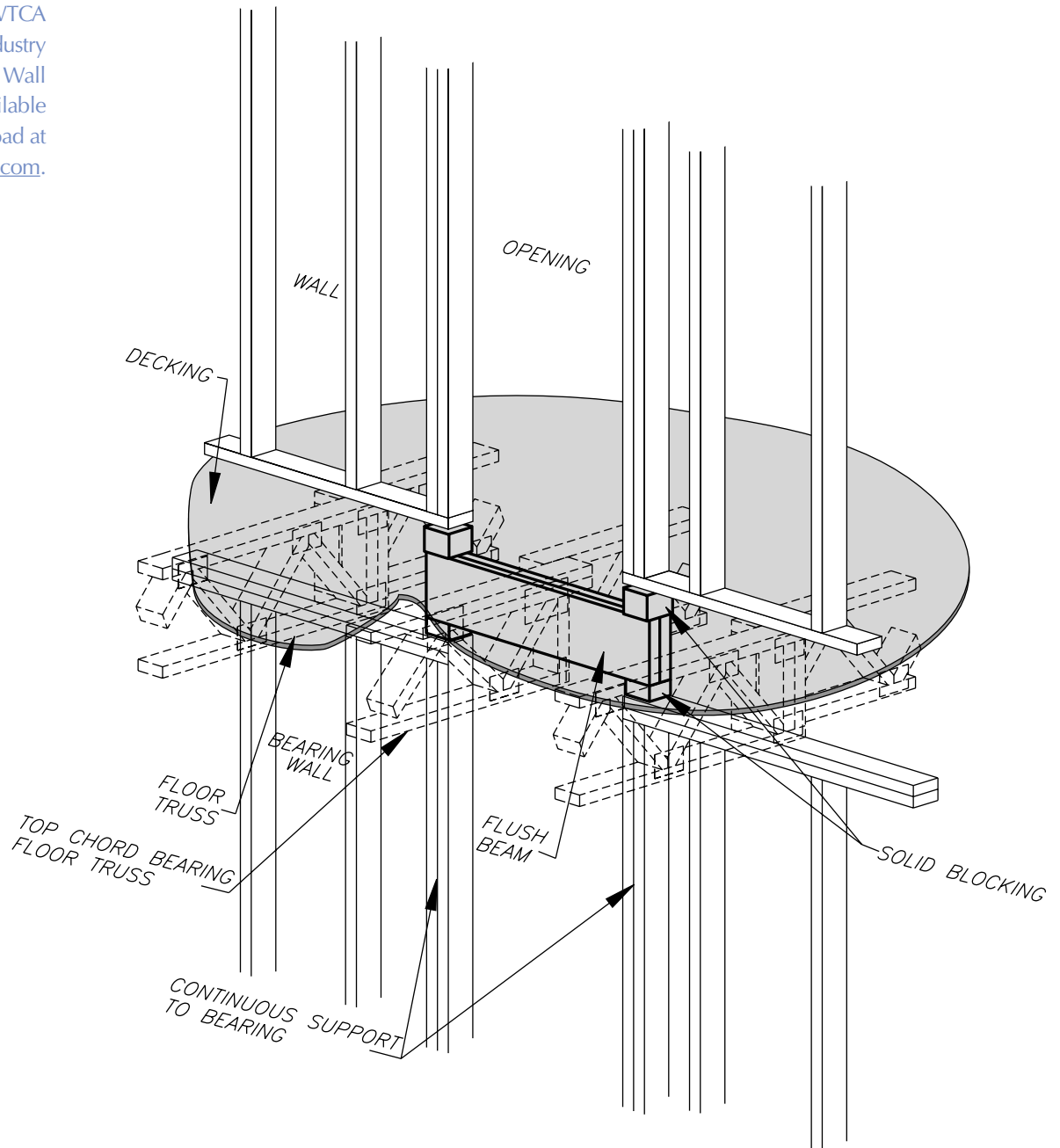
BLOCKING IN FLOOR SPACE @
INTERIOR BEARING CONDITION

Figure 16.8.25

WTCA STANDARD DETAILS

Blocking at Wall Type "C"

Figure 16.8.26 WTCA standard industry detail: Blocking at Wall Type "C". Available for free download at www.woodtruss.com.



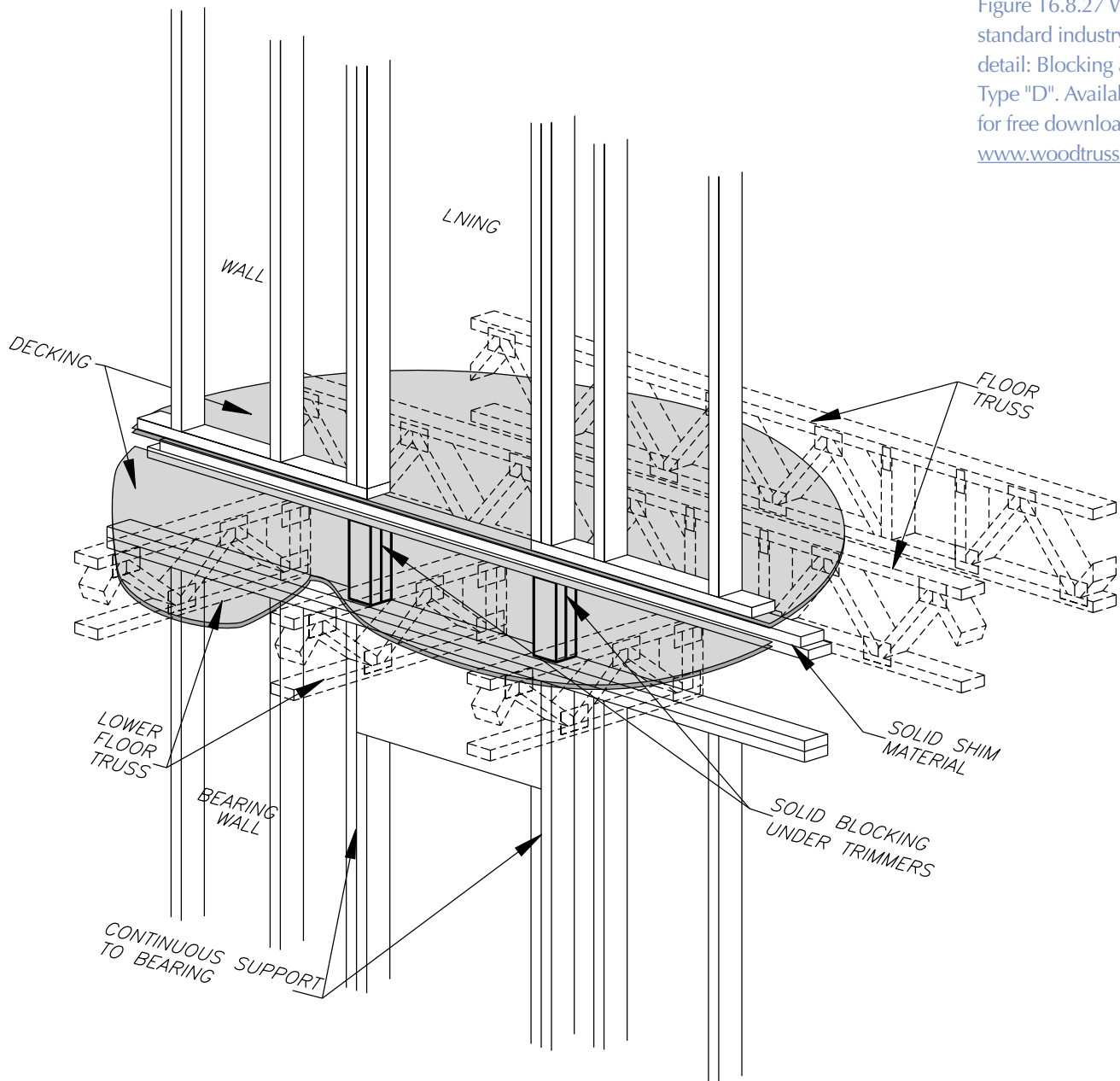
BLOCKING IN FLOOR SPACE @ INTERIOR BEARING CONDITION

Figure 16.8.26

WTCA STANDARD DETAILS

Blocking at Wall Type "D"

Figure 16.8.27 WTCA standard industry detail: Blocking at Wall Type "D". Available for free download at www.woodtruss.com.



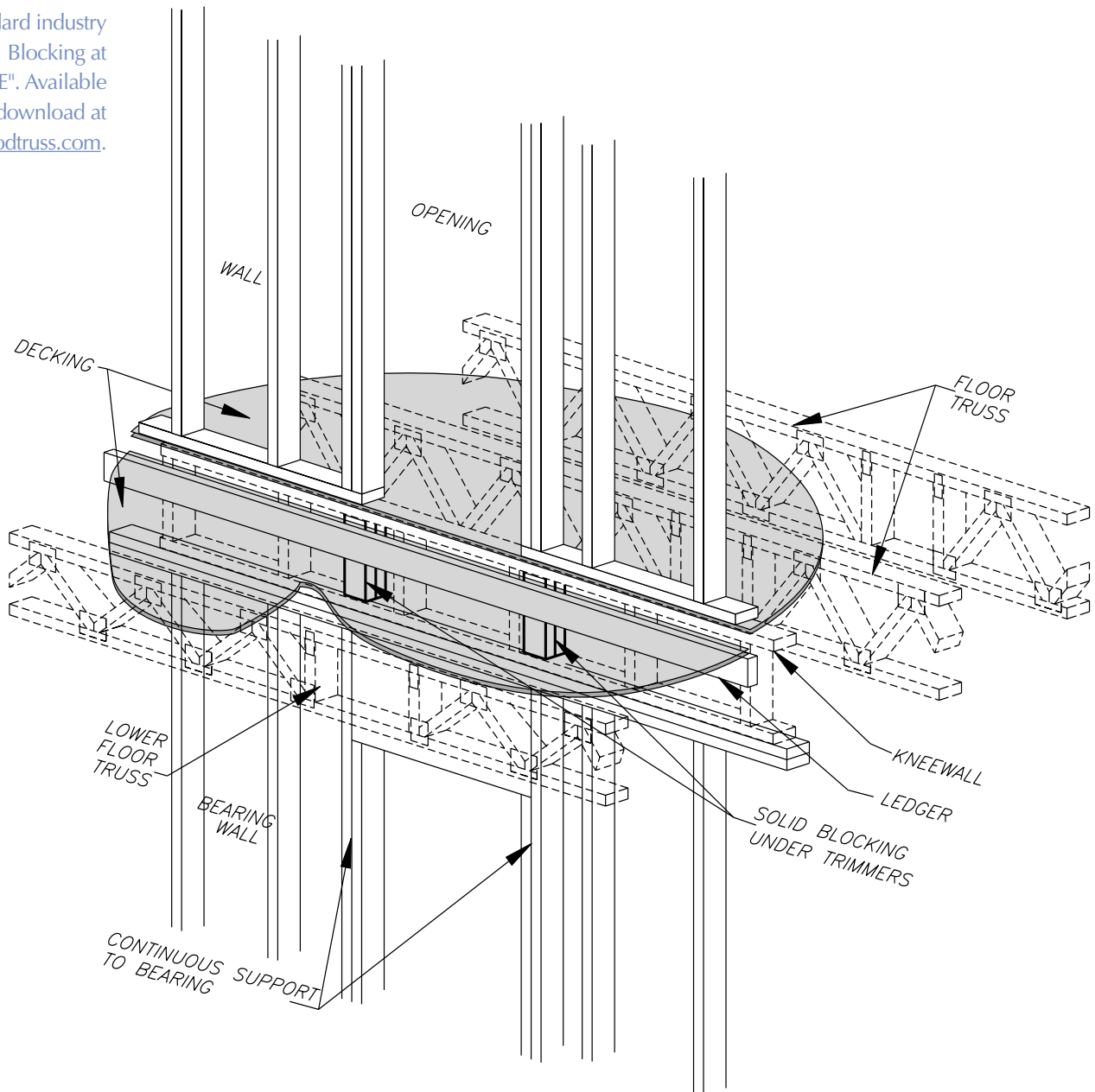
BLOCKING IN FLOOR SPACE @ FLOOR ELEVATION CHANGE

Figure 16.8.27

WTCA STANDARD DETAILS

Blocking at Wall Type "E"

Figure 16.8.28 WTCA standard industry detail: Blocking at Wall Type "E". Available for free download at www.woodtruss.com.



**BLOCKING IN FLOOR SPACE @
FLOOR ELEVATION CHANGE**

Figure 16.8.28